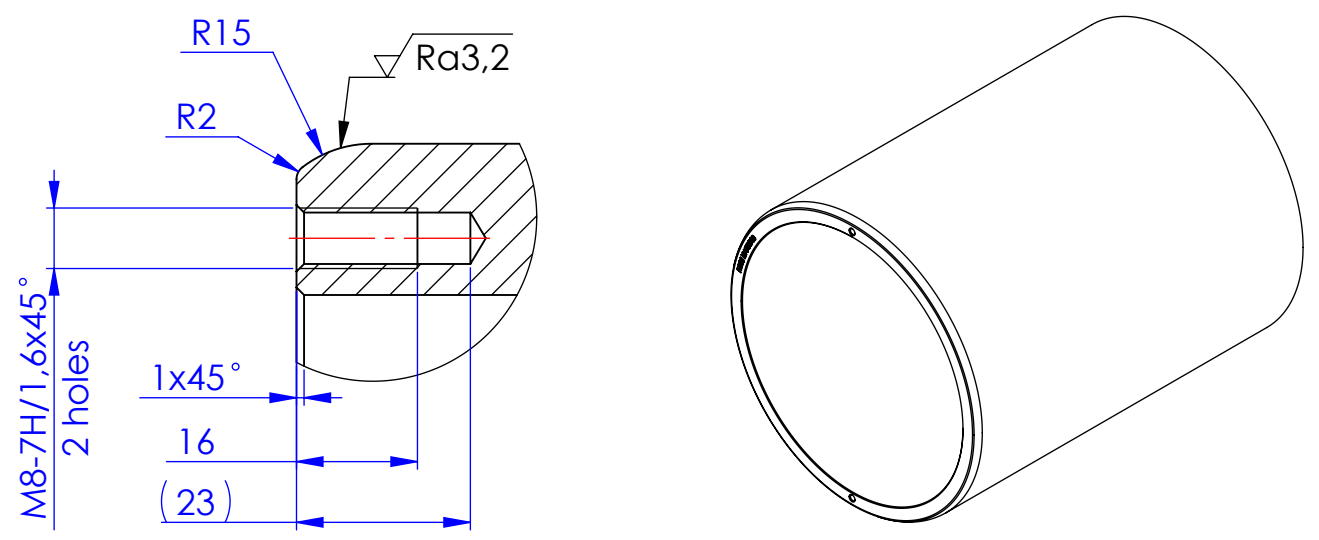


DETAIL A
SCALE 1 : 1



Add Req: 1.6582 (34CrNiMo6) EN 10083

NOTES:

- Mechanical properties shall be as specified in EN 10083-3 for the quenched and tempered condition +QT.
- Marking shall be as required per company standard ME STO-03.

UNLESS OTHERWISE SPECIFIED	DIMENSIONS mm (inches)	MATERIAL REMOVAL		SURFACE TEXTURE	EDGES OF UNDEFINED STATE:	THERMAL CUTTING TOL.	CASTING
		LINEAR DIM. TOL.	ISO 2768-m	$\sqrt{Ra12,5}$	-0.2 -0.5	-	GENERAL TOL.
		ANGULAR DIM. TOL.	ISO 2768-c	METRIC THREAD TOL.	+0.5 +0.2	-	ISO 8062-3
		GEOMETRICAL TOL. FOR FEATURES	ISO 2768-K	ISO 965	ISO 13715	ASSEMBLY TOL.	DRAFT ANGLE
					RUBBER TOL.	FILLET RADII	
		DRAWN BY:	VADS	1000200108		REV.	02
		CHECKED BY:	RENV	TITLE, SUPPLEMENTARY TITLE: PROTECTION BUSHING			
		APPROVED BY:	VADS	MASS:	82.34 kg	SIZE:	A3
		DATE OF ISSUE:	22.09.21	SCALE:	1:4	SHEET:	1/1