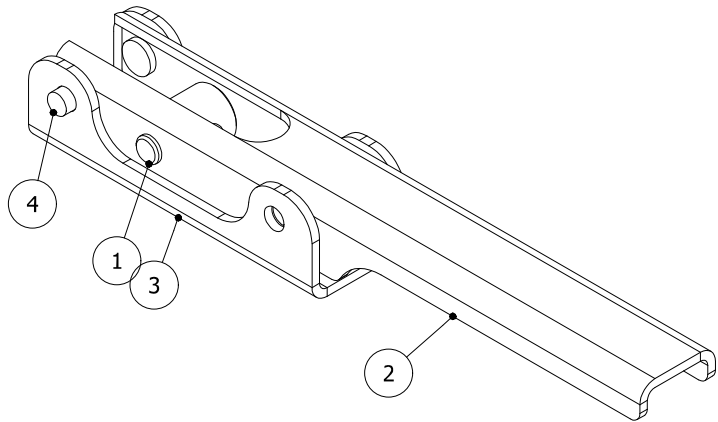
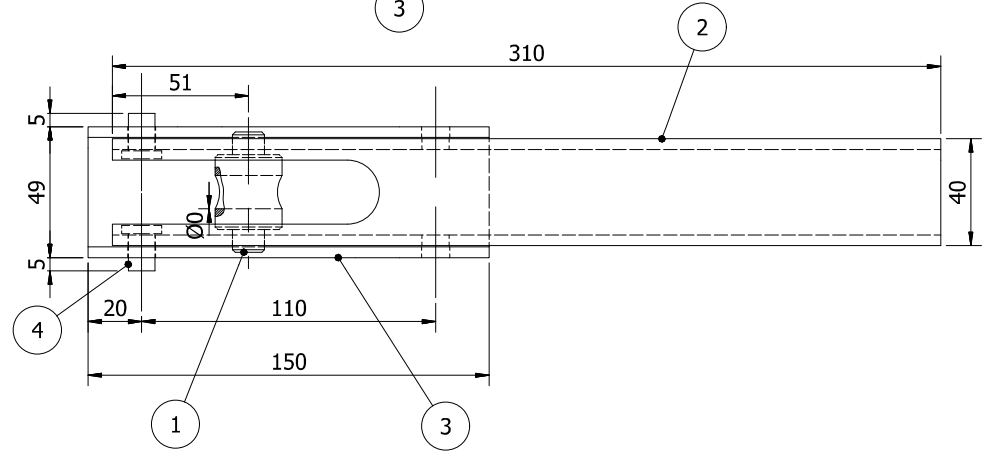
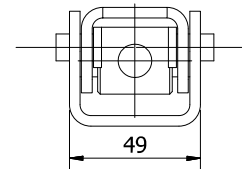
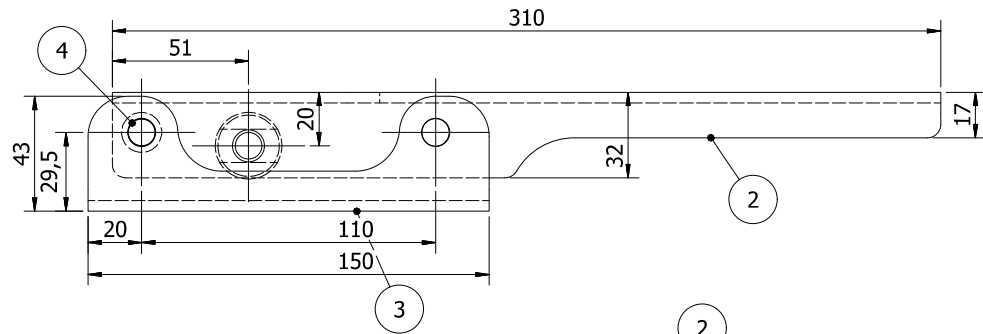


C

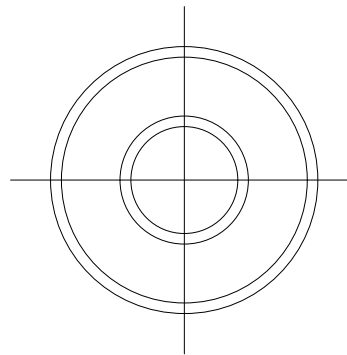
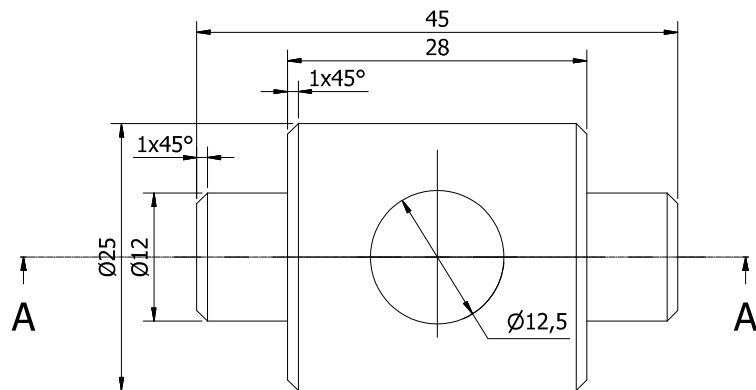
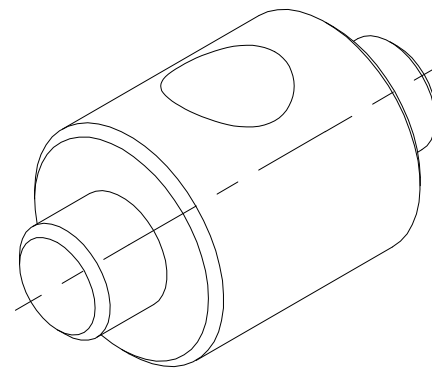
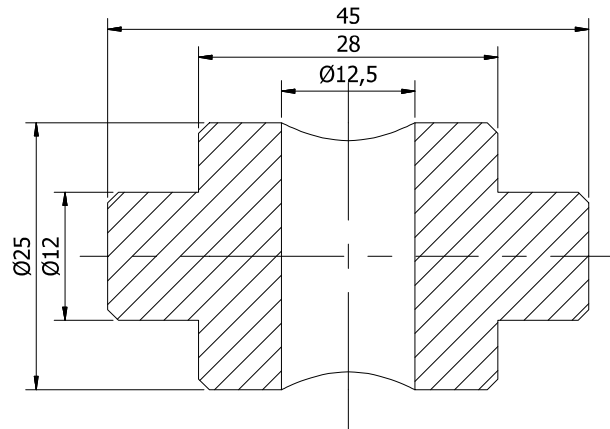
ITEM	QTY.	DESCRIPTION	PART OF NUMBER	STEEL GRADE	MASS
1	1	25 ROUND BAR L=45	HCSC-20-130-01-00-08-001	S355J2	0,1 kg
2	1	4mm PLATE (40x32 CHANNEL L=310)	HCSC-20-130-01-00-08-002	S355J2	0,6 kg
3	1	4mm PLATE (49x43 CHANNEL L=150)	HCSC-20-130-01-00-08-003	S355J2	0,4 kg
4	2	15 ROUND BAR L=17	HCSC-20-130-01-00-08-004	S355J2	0,0 kg



PROJECTION 	DESIGN:		MADE BY:
	VERIFICATION:		
LINEAR TOLERANCES 0 - 300mm ±1 301 - 1000mm ±2 1001 - 2000mm ±3 2001 - 4000mm ±4 4001 - 12000mm ±6 12001 - 21000mm ±10	REV:	R02	NAME:
	PAGE:	4 / 13	LOWER TENSION WITH HANDLE
			DRAWING No:
		STEEL GRADE:	MASS:
			1,2 kg

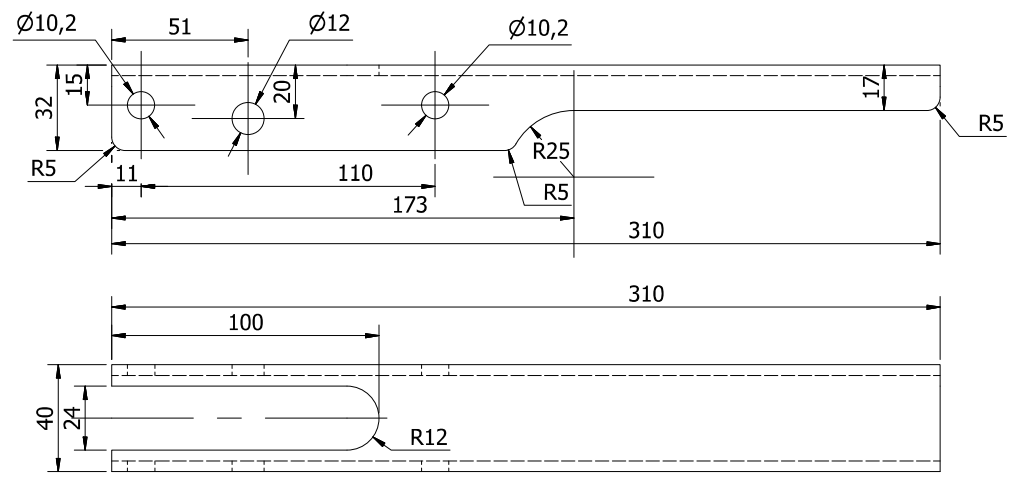
©

A-A (2: 1)

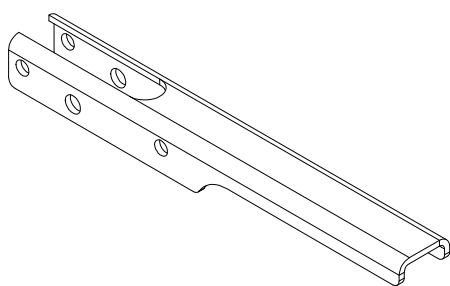
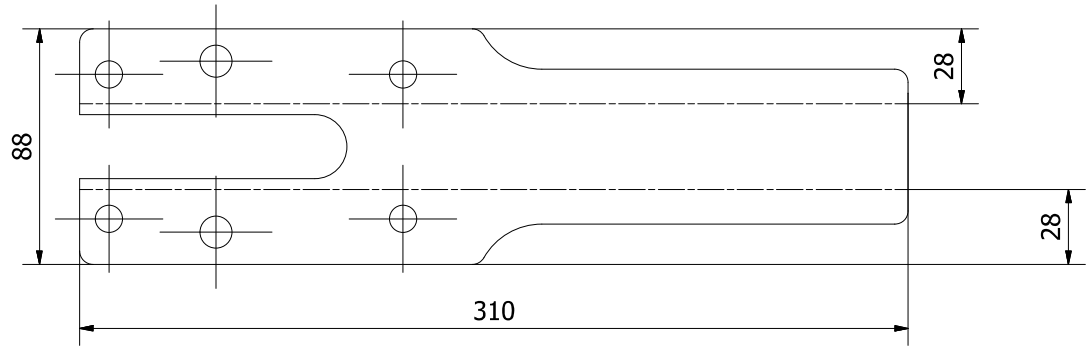


PROJECTION 	DESIGN:		MADE BY:
	VERIFICATION:		
LINEAR TOLERANCES 0 - 300mm ± 1 301 - 1000mm ± 2 1001 - 2000mm ± 3 2001 - 4000mm ± 4 4001 - 12000mm ± 6 12001 - 21000mm ± 10	REV: R02	NAME:	
	PAGE: 5 / 13	25 ROUND BAR L=45	STEEL GRADE: S355J2
			MASS: 0,1 kg

C

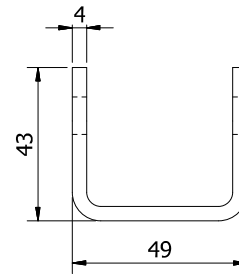
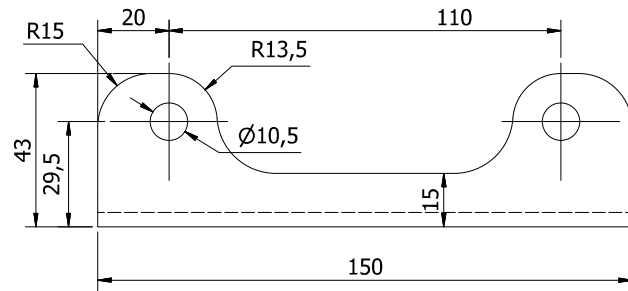


ROZWINIĘCIE (1 : 2)

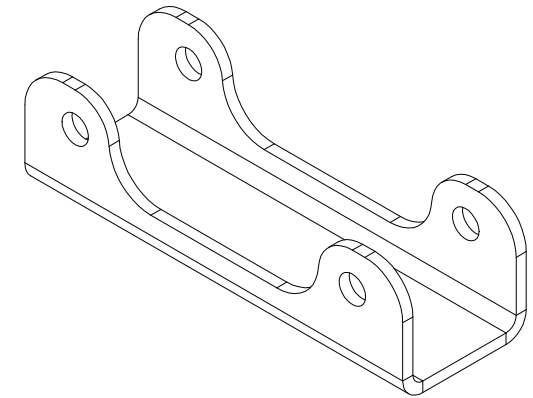
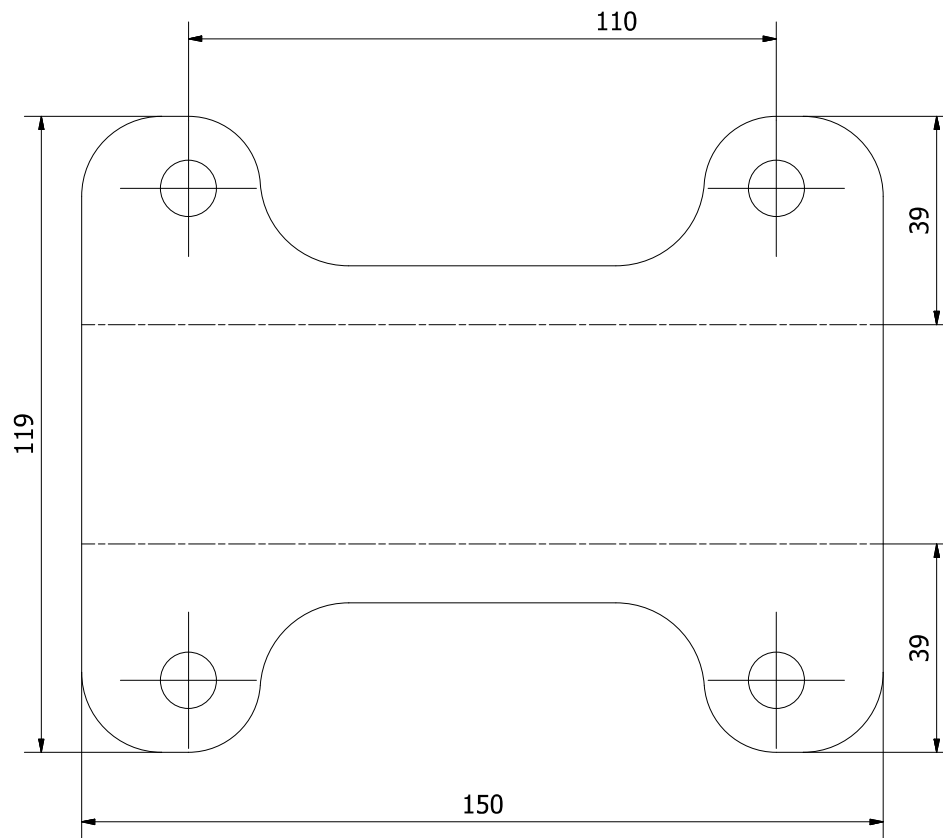


PROJECTION 	DESIGN:		MADE BY:
	VERIFICATION:		
LINEAR TOLERANCES 0 - 300mm ±1 301 - 1000mm ±2 1001 - 2000mm ±3 2001 - 4000mm ±4 4001 - 12000mm ±6 12001 - 21000mm ±10	REV:	R02	NAME:
	PAGE:	6 / 13	4mm PLATE (40x32) CHANNEL L=310
	STEEL GRADE:	S355J2	MASS:

©

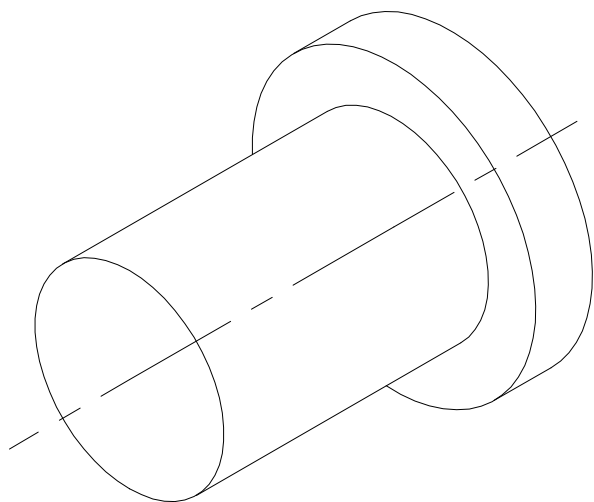
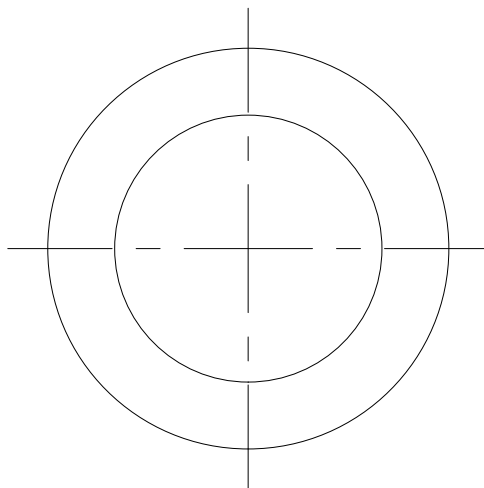
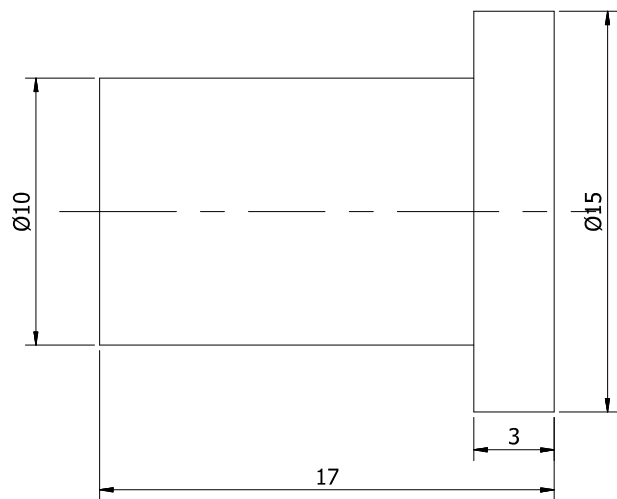


ROZWINIĘCIE (1 : 1)



PROJECTION 	DESIGN:		MADE BY:
	VERIFICATION:		
LINEAR TOLERANCES 0 - 300mm ± 1 301 - 1000mm ± 2 1001 - 2000mm ± 3 2001 - 4000mm ± 4 4001 - 12000mm ± 6 12001 - 21000mm ± 10	REV: R02	NAME: 4mm PLATE (49x43)	
	PAGE: 7 / 13	CHANNEL L=150)	STEEL GRADE: S355J2
			MASS: 0,4 kg

©



PROJECTION 	DESIGN:		MADE BY:
	VERIFICATION:		
LINEAR TOLERANCES 0 - 300mm ±1 301 - 1000mm ±2 1001 - 2000mm ±3 2001 - 4000mm ±4 4001 - 12000mm ±6 12001 - 21000mm ±10	REV:	NAME:	
	R02	15 ROUND BAR L=17	
	PAGE:		STEEL GRADE:
	8 /13		S355J2
			MASS:
			0,0 kg