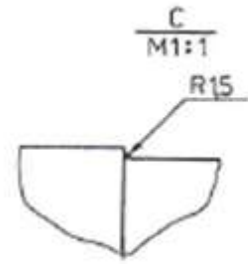
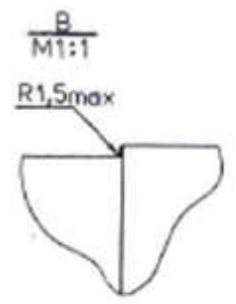
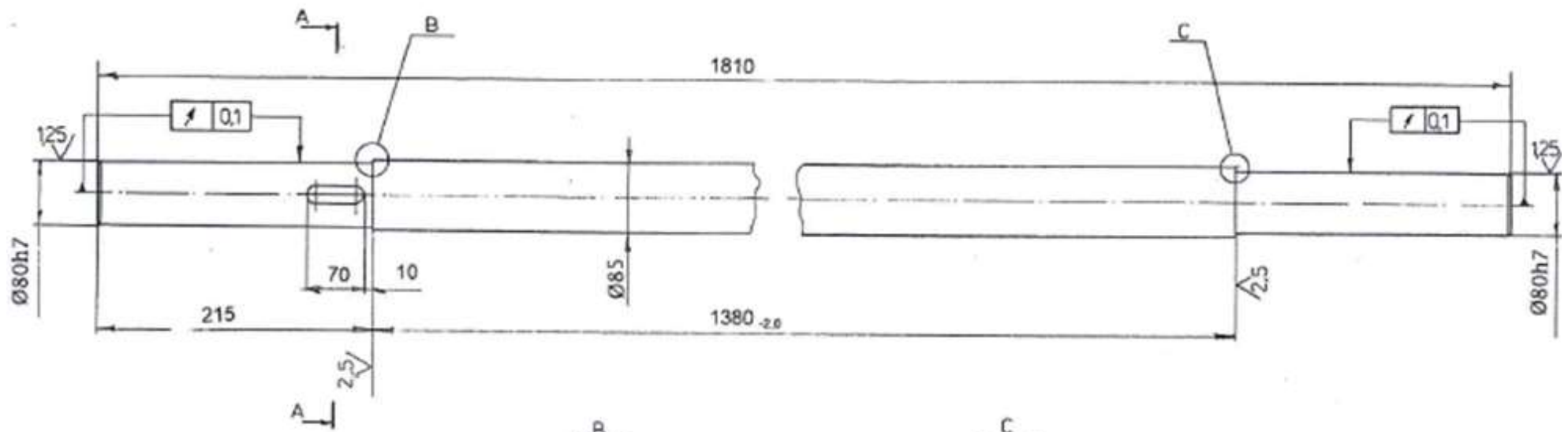
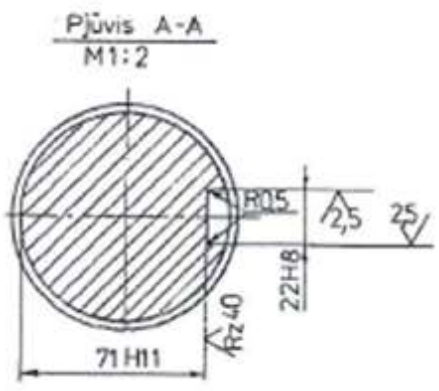


Rz20 \sqrt{V}



1. H14; h14 $\pm 1/2$



54-2002/1 M M1:5

| | | |
|-----------------------------|-------|-------|
| Plienās 40X GOST 1050-85 | LAPAS | LAPAS |
| | 1 | 1 |